



MATERIAL HANDLING PRODUCTS



One Million Square Feet
of Production Facilities

Bendi®



B30AC/B40AC



B55AC



Bendi®

The Landoll Bendi B30AC and B40AC are 4-wheel, articulating, AC powered, narrow aisle forklifts maximizing cube utilization while providing front loader versatility. Maximum space utilization, increased productivity, operator comfort and safety are the primary benefits.

STANDARD FEATURES

- 3,000 lb. (1,361kg) and 4,000 lb. (1,814kg) Capacity at 24" (610mm) Load Center
- Lift Heights to 374" (9.5 M)
- 78" (1.98M) Stacking Aisle with 48" (1,200mm) Long Load
- High Visibility 3-Stage or 4-Stage Mast
- Integral 11.2" (285mm) Stroke Side Shifter and 36" (914mm) High Load Backrest
- Dual Inside / Outside Capability
- Articulated 42" (1,067mm) Wide Floating Front Axle
- Large Diameter Smooth Rubber Drive Tires
- Polyurethane Smooth Load Tires
- 180° Front-End DuraSteer™ Articulation / Steering Assembly with 5-Year Warranty
- Heavy Duty Dual Rear Wheel Planetary Drives
- AC Traction and Hydraulic Controllers with Lift Interrupt
- UL583, Type E Electrical Rating, UL Listed
- Creep Speed Mode Select in Switch
- Powerful AC Drive and Hydraulic Motors
- Comfortable Seated Operation with All Truck Controls in Easy Reach
- Full Diagnostic Interactive Color Display with Battery Discharge Indicator and Hour Meter
- Adjustable Cloth Suspension Seat
- Armrest, Adjustable Steering Column, Key Switch, Horn and Seat Belt
- Hydraulic Power Steering
- 4-Post Heavy-Duty Adjustable Overhead Guard, Meets ANSI B56.1
- Safety Deadman Seat Switch
- Heavy Duty Unitized Robotic Welded Chassis Design
- Provisions for RF Terminals Provided
- Accepts Class II Attachments
- Easily Accessible Components for Low Cost Maintenance



**Dash Display with Full Diagnostics
Battery Discharge Indicator and Hour Meter**



**DuraSteer™ Front Wheel Steering
*Patented**

B30/40AC

4-Wheel Heavy Capacity Electric Multi-Purpose Narrow Aisle Articulating Forklift Truck

OPTIONAL FEATURES

- Non-Standard Fork Lengths
- LED Headlights, Flashing Light and Rear Safety Lights
- Integral Side Shifting Fork Positioner
- Auxiliary Hydraulics
- Non-Marking Tires
- UL-583, Type EE Electrical Rating, UL Listed

- Vinyl Seat
- Slide-Out Sideways Battery Tray
- Fire Extinguisher
- Lazer Fork Height Indicator
- Camera with Operator Compartment Monitor
- Cold Storage Option for Freezer Operation to -22°F (-30°C)



TECHNICAL DATA

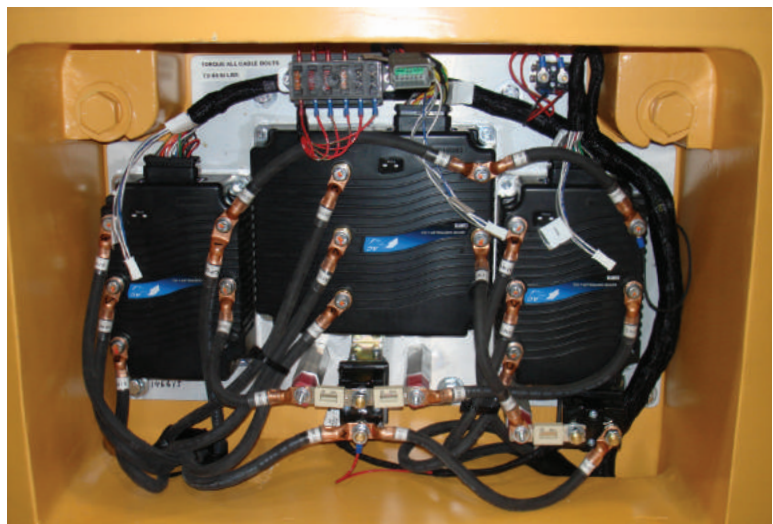
| MODEL | | | B30AC | B40AC | |
|-----------------------------|---|---|----------|----------------------|---------------------|
| Capacity | | at 24" (600mm) Load Center | lbs/kg | 3,000 / 1,361 | 4,000 / 1,814 |
| Weight | | with Battery | lbs/kg | 13,630 / 6,182 | 1,485 / 6,736 |
| Travel Speed | | Loaded | mph/kph | 6.5 / 10.5 | 6.5 / 10.5 |
| | | Unloaded | mph/kph | 7 / 11.3 | 7 / 11.3 |
| Lift Speed | | Loaded | fpm/mpm | 90 / 27.4 | 90 / 27.4 |
| | | Unloaded | fpm/mpm | 110 / 33.5 | 110 / 33.5 |
| Lowering Speed | | Loaded | fpm/mpm | 100 / 30.4 | 100 / 30.4 |
| | | Unloaded | fpm/mpm | 90 / 27.4 | 90 / 27.4 |
| Mast Tilt | | Fwd / Back - Up to 293" (7.44M) | deg | 3 / 3 | 3 / 3 |
| | | Fwd / Back - 294" (7.46M) and Higher | deg | 1 / 2 | 1 / 2 |
| Lost Load Center | E | | in/mm | 12 / 305 | 12 / 31 |
| Wheelbase | F | | in/mm | 63 / 1,600 | 63 / 160 |
| Rear Overhang | G | | in/mm | 25 / 635 | 28 / 71 |
| Overall Length Fork to Face | H | Mast Vertical | in/mm | 100 / 2,540 | 103 / 262 |
| Underclearance | I | Under Mast | in/mm | 3 / 76 | 3 / 7.6 |
| Operator Floor Height | J | | in/mm | 31 / 787 | 31 / 79 |
| Overhead Guard Height | K | | in/mm | 89 / 2,261 | 89 / 226 |
| Overhead Guard Width | L | | in/mm | 40 / 1,016 | 40 / 102 |
| Overall Width | M | | in/mm | 45 / 1,143 | 50 / 122 |
| Fork Carriage Width | N | | in/mm | 41 / 1,041 | 41 / 104 |
| Fork Length | O | | in/mm | 40 / 1,016 | 40 / 102 |
| Out to Out Fork Spread | P | Minimum / Maximum | in/mm | 9.4-39.5 / 239-1,003 | 9.4-39.5 / 24-100 |
| Battery Compartment Height | Q | Floor to Top of Battery Tray | in/mm | 19 / 483 | 19 / 48 |
| Right Angle Stacking Aisle | | with 48"L x 40"W (1,200mm x 1,000mm) Load | in/mm | 78 / 1,981 | 78 / 198 |
| Intersecting Aisle | | with 48"L x 40"W (1,200mm x 1,000mm) Load | in/mm | 108 / 2,743 | 108 / 2,743 |
| Gradeability | | Loaded / Unloaded | % | 15 | 15 |
| Hydraulic Motor Rating | | Continuous Duty Rating | type/kWh | 12 | 12 |
| Traction Motor Rating | | Continuous Duty Rating | type/kWh | 5.1 Ea / 10.2 Total | 5.6 Ea / 11.2 Total |
| Traction Control Type | | Induction | | AC | AC |
| Hydraulic Control Type | | Induction | | AC | AC |
| Wheel Sizes | | Front (2 Each) Smooth Poly-Dia x Face | in/mm | 14x5 / 356x127 | 14x5 / 356x127 |
| | | Rear (2 Each) Smooth Rubber-Dia x Face | in/mm | 18x7 / 457x178 | 18x7 / 457x178 |



Loading / Unloading

The specifications contained in this spec sheet are subject to change at any time without notice. Actual dimensions and performance data given herein may vary due to manufacturing tolerances.

Landoll continuously improves products. We reserve the right to make any changes in illustrations, specifications, equipment, and prices without prior notice and without changes on previous models.



Rear Controller Compartment and Counterweight

B30/40AC

4-Wheel Heavy Capacity Electric Multi-Purpose Narrow Aisle Articulating Forklift Truck

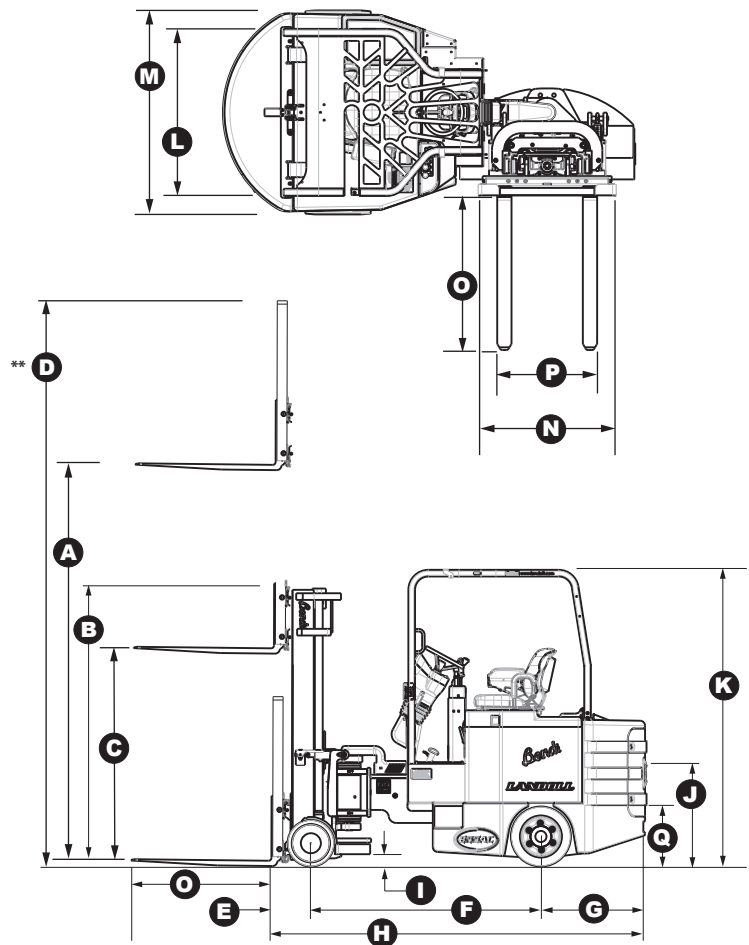
AISLE DIMENSIONS

| LOAD DEPTH X WIDTH | MINIMUM CLEAR AISLE |
|------------------------------|---------------------|
| 40" x 48" (1,000 x 1,200mm) | 70" (1,778mm) |
| 48" x 40" (1,200 x 1,000mm) | 78" (1,981mm) |
| Minimum Clear Transfer Aisle | 108" (2,743mm) |

MAST DIMENSIONS

| LIFT HEIGHT (A) | | LOWERED HEIGHT (B) | | FREE LIFT (C) | | OVERALL HEIGHT (D) | |
|---|--------|--------------------|--------|---------------|--------|--------------------|--------|
| Inches | Meters | Inches | Meters | Inches | Meters | Inches | Meters |
| Triple (3-Stage) Mast B30AC | | | | | | | |
| 188 | 4.78 | 83 | 2.11 | 47 | 1.19 | 224 | 5.69 |
| 198 | 5.03 | 87 | 2.21 | 51 | 1.30 | 234 | 5.94 |
| 216 | 5.49 | 95 | 2.41 | 59 | 1.50 | 252 | 6.40 |
| 223 | 5.66 | 98 | 2.49 | 62 | 1.57 | 259 | 6.58 |
| 242 | 6.15 | 107 | 2.72 | 71 | 1.80 | 278 | 7.06 |
| 258 | 6.55 | 115 | 2.92 | 79 | 2.01 | 294 | 7.47 |
| 272 | 6.91 | 121 | 3.07 | 85 | 2.16 | 308 | 7.82 |
| Triple (3-Stage) Mast B40AC | | | | | | | |
| 188 | 4.78 | 83 | 2.11 | 47 | 1.19 | 224 | 5.69 |
| 198 | 5.03 | 87 | 2.21 | 51 | 1.30 | 234 | 5.94 |
| 216 | 5.49 | 95 | 2.41 | 59 | 1.50 | 252 | 6.40 |
| 223 | 5.66 | 98 | 2.49 | 62 | 1.57 | 259 | 6.58 |
| 242 | 6.15 | 107 | 2.72 | 71 | 1.80 | 278 | 7.06 |
| 258 | 6.55 | 115 | 2.92 | 79 | 2.01 | 294 | 7.47 |
| 272 | 6.91 | 121 | 3.07 | 85 | 2.16 | 308 | 7.82 |
| 296* | 7.52 | 129 | 3.28 | 93 | 2.36 | 332 | 8.43 |
| 312* | 7.92 | 132 | 3.35 | 96 | 2.44 | 348 | 8.84 |
| 323* | 8.20 | 138 | 3.51 | 102 | 2.59 | 359 | 9.12 |
| 360* | 9.14 | 156 | 3.96 | 120 | 3.05 | 396 | 10.06 |
| 374* | 9.50 | 167 | 4.24 | 131 | 3.33 | 410 | 10.40 |
| Free Lift Based on 36" (914mm) High Load Backrest | | | | | | | |
| Overall Height Based on 36" (914mm) High Load Backrest | | | | | | | |
| Quad (4-Stage) Mast B30AC and B40AC | | | | | | | |
| 250 | 6.35 | 87 | 2.21 | 51 | 1.30 | 286 | 7.26 |
| 258 | 6.55 | 89 | 2.26 | 53 | 1.35 | 294 | 7.47 |
| 276 | 7.01 | 95 | 2.41 | 59 | 1.50 | 312 | 7.92 |
| 294* | 7.47 | 101 | 2.57 | 65 | 1.65 | 330 | 8.38 |
| 312* | 7.92 | 107 | 2.72 | 71 | 1.80 | 348 | 8.84 |
| Quad (4-Stage) Mast B40AC | | | | | | | |
| 336* | 8.53 | 117 | 2.97 | 81 | 2.06 | 372 | 9.45 |
| 360* | 9.14 | 126 | 3.20 | 90 | 2.29 | 396 | 10.06 |
| 374* | 9.50 | 130 | 3.30 | 94 | 2.39 | 410 | 10.41 |

* Tilt Restricted to 1° Forward and 2° Backward



Scan the QR Code to Learn More!

RECOMMENDED BATTERIES

BATTERY FOR B30AC - MINIMUM BATTERY WEIGHT IS 2,550 LBS. (1,159KG) - MAXIMUM WEIGHT IS 3,100 LBS. (1,409KG)

Battery Designation: 24-85-17, 48 Volt, 680 AHC, Nominal Size 27" x 38.5" x 22.625" (69 x 98 x 58cm)

Standard Truck Battery Compartment Size: 27.5" x 38.75" x 23" (70 x 98 x 58cm)

Leads are at Position A, 12" (31cm) Long, with SB 350 Amp Blue Connector

BATTERY FOR B40AC - MINIMUM BATTERY WEIGHT IS 2,600 LBS. (1,181KG) - MAXIMUM WEIGHT IS 3,100 LBS. (1,409KG)

Battery Designation: 24-85-19, 48 Volt, 765 AHC, Nominal Size 25.9375" x 44.5625" x 22.625" (66 x 113 x 58cm)

Standard Truck Compartment Size: 26" x 44.75" x 23" (66 x 114 x 58cm)

Leads are at Position A, 12" (304.8mm) Long, with SB 350 Amp Blue Connector

Bendi®

STANDARD FEATURES

- 5,500 lb. (2,495kg) Capacity
- Lift Heights to 360" (9.14M)
- 84" (2.13M) Stacking Aisle with 48" (1,200mm) Long Load
- High Visibility 3-Stage or 4-Stage Mast
- Integral 11.2" (285mm) Stroke Side Shifter and 36" (914mm) High Load Backrest
- Dual Inside / Outside Capability
- Articulated Floating Front Axle, 48" (1,219mm) Wide
- Large Diameter Smooth Rubber Drive Tires
- Polyurethane Load Tires
- 180° Front-End DuraSteer™ Articulation Steering Assembly with 5-Year Warranty
- Heavy Duty Dual Rear Wheel Planetary Drives
- AC Traction and Hydraulic Controllers, with Lift Interrupt
- Powerful AC Drive and Hydraulic Motors
- Comfortable Seated Operation with All Truck Controls in Easy Reach
- Full Diagnostic Interactive Color Display with Battery Discharge Indicator and Hour Meter
- Adjustable Cloth Suspension Swivel Seat
- Armrest, Adjustable Steering Column, Key Switch, Horn and Seat Belt
- Hydraulic Power Steering
- 4-Post Heavy-Duty Overhead Guard, Meets ANSI B56.1
- Safety Deadman Seat Switch
- Heavy Duty Unitized Robotic Welded Chassis Design
- Provisions for RF Terminals Provided
- Accepts Class II Attachments
- Easily Accessible Components for Low Cost Maintenance
- UL 583, Type E Electrical Rating, UL Listed
- Creep Speed Mode Selection Switch



OPTIONAL FEATURES

- Non-Standard Fork Lengths
- LED Headlights, Flashing Light and Rear Safety Lights
- Integral Side Shifting Fork Positioner
- Auxiliary Hydraulics
- Non-Marking Tires
- UL 583, Type EE Electrical Rating, UL Listed
- Vinyl Seat
- Slide-Out Battery Tray
- Fire Extinguisher
- Lazer Fork Height Indicator
- Camera with Operator Compartment Monitor
- Capable of Freezer Operation to -22°F (-30°C)



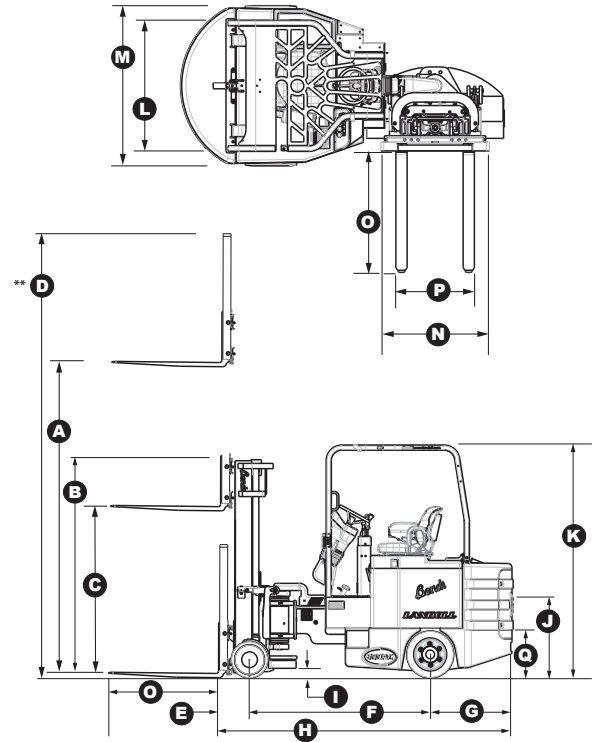
Scan the QR Code
to Learn More!

B55AC

4-Wheel Heavy Capacity Electric Multi-Purpose Narrow Aisle Articulated Forklift Truck

TECHNICAL DATA

| MODEL | | | B55AC |
|-----------------------------|---|--|---------------------------------|
| Capacity | | at 24" (600mm) Load Center | lbs/kg 5,500 / 2,495 |
| Weight | | with Battery | lbs/kg 16,950 / 7,705 |
| Travel Speed | | Loaded | mph/kph 6.5 / 10.5 |
| | | Unloaded | mph/kph 7 / 11.3 |
| Lift Speed | | Loaded | fpm/mpm 90 / 27.4 |
| | | Unloaded | fpm/mpm 110 / 33.4 |
| Lowering Speed | | Loaded | fpm/mpm 100 / 30.5 |
| | | Unloaded | fpm/mpm 90 / 27.4 |
| Mast Tilt | | Fwd / Back - Up to 293" (7.44M) | deg 3 / 3 |
| | | Fwd / Back- 294" (7.46M) to 360" (9.14M) | deg 1 / 2 |
| Lost Load Center | E | | in/mm 12 / 305 |
| Wheelbase | F | | in/mm 69 / 1,753 |
| Rear Overhang | G | | in/mm 31.7 / 805 |
| Overall Length Fork to Face | H | Mast Vertical | in/mm 113 / 2,870 |
| Underclearance | I | | in/mm 3 / 76 |
| Operator Floor Height | J | | in/mm 31 / 787 |
| Overhead Guard Height | K | | in/mm 89 / 2,261 |
| Overhead Guard Width | L | | in/mm 46 / 1,168 |
| Overall Width | M | | in/mm 56 / 1,422 |
| Fork Carriage Width | N | | in/mm 41 / 1,041 |
| Fork Length | O | | in/mm 40 / 1,041 |
| Out to Out Fork Spread | P | Minimum/Maximum | in/mm 9.4-39.5 / 239-1,003 |
| Battery Compartment Height | Q | Floor to Top of Battery Tray | in/mm 19 / 482.6 |
| Right Angle Stacking Aisle | | with 48"L x 40"W (1200mm x 1000mm) Load | in/mm 84 / 213 |
| Intersecting Aisle | | with 48"L x 40"W (1200mm x 1000mm) Load | in/mm 114 / 289 |
| Gradeability | | Loaded / Unloaded | % 15 / 15 |
| Hydraulic Motor Rating | | Continuous Duty Rating | type/kWh AC / 16.8 |
| Traction Motor Rating | | Continuous Duty Rating | type/kWh AC / 7.5 ea - 15 Total |
| Traction Control Type | | Induction | AC |
| Hydraulic Control Type | | Induction | AC |
| Wheel Sizes | | Front (2 Each) Poly - Dia. x Face | in/mm 14x8 / 355.6x203.2 |
| | | Rear (2 Each) Rubber - Dia. x Face | in/mm 18x9 / 457.2x584.2 |



MAST DIMENSIONS

| LIFT HEIGHT (A) | | LOWERED HEIGHT (B) | | ** FREE LIFT (C) | | OVERALL HEIGHT (D) | |
|------------------------------|--------|--------------------|--------|------------------|--------|--------------------|--------|
| Inches | Meters | Inches | Meters | Inches | Meters | Inches | Meters |
| Triple (3-Stage) Mast | | | | | | | |
| 188 | 4.78 | 83 | 2.11 | 47 | 1.19 | 224 | 5.69 |
| 198 | 5.03 | 87 | 2.21 | 51 | 1.30 | 234 | 5.94 |
| 216 | 5.49 | 95 | 2.41 | 59 | 1.50 | 252 | 6.40 |
| 223 | 5.66 | 98 | 2.49 | 62 | 1.57 | 259 | 6.58 |
| 242 | 6.15 | 107 | 2.72 | 71 | 1.80 | 278 | 7.06 |
| 258 | 6.55 | 115 | 2.92 | 79 | 2.01 | 294 | 7.47 |
| 272 | 6.91 | 121 | 3.07 | 85 | 2.16 | 308 | 7.82 |
| 296* | 7.52 | 129 | 3.28 | 93 | 2.36 | 332 | 8.43 |
| 312* | 7.92 | 132 | 3.35 | 96 | 2.44 | 348 | 8.84 |
| 323* | 8.20 | 138 | 3.51 | 102 | 2.59 | 359 | 9.12 |
| 360* | 9.14 | 156 | 3.96 | 120 | 3.05 | 396 | 10.06 |
| 374* | 9.50 | 167 | 4.24 | 131 | 3.33 | 410 | 10.40 |
| Quad (4-Stage) Mast | | | | | | | |
| 250 | 6.35 | 91 | 2.31 | 55 | 1.40 | 286 | 7.26 |
| 260 | 6.60 | 95 | 2.41 | 59 | 1.50 | 296 | 7.52 |
| 276 | 7.01 | 102 | 2.59 | 66 | 1.68 | 312 | 7.92 |
| 295* | 7.49 | 109 | 2.77 | 73 | 1.85 | 331 | 8.41 |
| 315* | 8.00 | 117 | 2.97 | 81 | 2.06 | 351 | 8.92 |

* Tilt Restricted to 1° Forward and 2° Backward

** Free Lift Based on 36" (914mm) High Load Backrest

AISLE DIMENSIONS

| LOAD DEPTH X WIDTH | MINIMUM CLEAR AISLE |
|-----------------------------|---------------------|
| 40" x 48" (1,000 x 1,200mm) | 78" (1,930mm) |
| 48" x 40" (1,200 x 1,000mm) | 84" (2,134mm) |
| Transfer or End Aisle | 114" (2,896mm) |

RECOMMENDED BATTERY

| |
|--|
| BATTERY DESIGNATION: 24-85-23, 48 VOLT, 935 AHC (6 HOUR RATE) |
| Nominal Size: 44.75" x 32.25" x 22.63" (114 x 82 x 58cm) |
| Truck Compartment Size: 44.875" x 32.5" x 23" (114x83x59cm) |
| Battery Weight Min: 3,500 lbs. (1,590kg) Max: 4,000 lbs. (1,818kg) |
| Leads are at Position A, 12" (30.5cm) Long, with SB 350 Amp Blue Connector |

Landoll continuously improves products. We reserve the right to make any changes in illustrations, specifications, equipment, and prices without prior notice and without changes on previous models.

QUALITY

IS OUR FIRST PRIORITY



Proven Solutions for Storage & Specialty Handling Applications

Family owned and operated since 1963, we make quality our first priority. Our goal is to provide the best solution for your material handling needs. Bendi articulating, Drexel SwingMast® Narrow Aisle and Very Narrow Aisle forklifts provide that solution. Through increased utilization of space, improved productivity, greater flexibility and maximized efficiency. We stay on the edge of modern and innovative technology. We know that for our customers "Quality is Always a Bargain".

Exceptional Customer Support, Parts and Service

Landoll is committed to total customer satisfaction by providing products and services of the highest quality. Aftermarket parts and service is available world-wide through our factory trained dealer network and Landoll's service support department. Our 75,000 sq ft Parts Distribution Center ensures quick and accurate delivery of parts to keep your equipment up and running. Experience for yourself the reason that Landoll Material Handling Products are #1 in customer retention.



MATERIAL HANDLING
landoll.com/mhp

1900 North Street Marysville, KS 66508 · 800-428-5655 · forkliftsales@landoll.com

